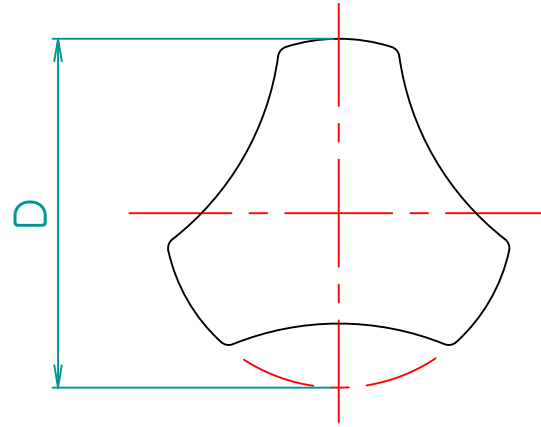
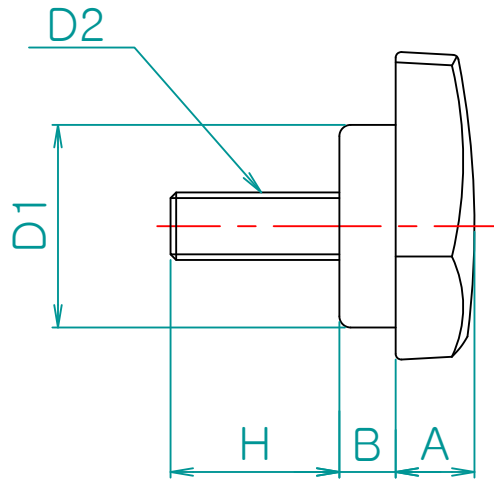
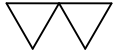


Rev. No.	DESCRIPTION	DATE	DS.	CH.	AP.
△					
△					
△					



unit : mm

제품명	D2	H	A	B	D1	D
TKB-L	M10	10,15,20,25,30,35,40,45,50,	9	7	28	46
	M8	55,60,65,70,75,85,95,100				
TKB-M	M10	9,12,15,20,25,30,35,40,45,50, 55,60,65,70,75,85,95,100	8	8	21	37
	M8					
	M6					
TKB-S	M6	9,12,15,20,25,30,35,40,45,50, 55,60,65,70,75,85,95,100	6	5	18	31
	M5					

Note

1. 특징 :

2. 용도 :

	재질	표면처리
노브부	페놀수지	흑색유광
나사부	SS41	3가 유색도금

Dimension (mm)	Precision	Material	Dwg. No.	Q'TY
0.5~3		페놀수지		**
3~6	±0.05	Finish	Part Name.	Weight
6~30	±0.1	흑색유광	**	-
30~120	±0.15	Revision	Ass'y Name	Scale
120~315	±0.2	-	**	1:1
315~1000	±0.3	Date	Model No.	
1000~2000	±0.5	2010-09-07	TKB	
		Designed by Shin S H		
		Checked by	Approved by	
KS B 0412에 준함				