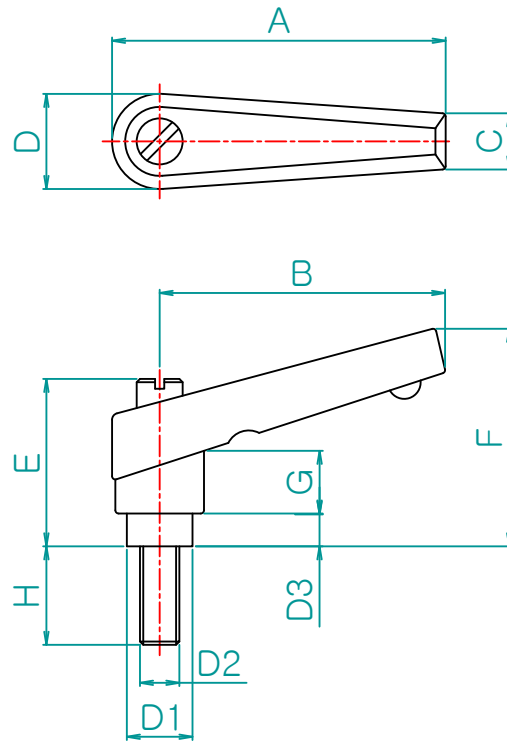




Rev. No.	DESCRIPTION	DATE	DS.	CH.	AP.
△					
△					
△					



unit : mm

제품명	D2	H	A	B	C	D	E	F	G	D1	D3
CLB-S49	M6	10,15,20,25,30,35,40,	49	42	8	14.5	25.5	29.5	11	10	3
	M5	45,50,60,70									
CLB-S78	M8	15,20,25,30,35,40,45, 50,60,70,80,90,100	78	65	10	20	30.5	41	11	13	6
CLB-S96	M10	15,20,25,30,35,40,45,	96	82	11	23	38.5	43	14	16	9
	M12	50,60,70,80,90,100									

Note

1. 특징 :

2. 용도 :

	재질	표면처리
그립부	STS304	전해연마
나사부	STS304	-
스프링부	STS304-WBP	-

Dimension (mm)	Precision	Material	STS304	Dwg. No.	Q'TY
0.5~3		Finish	전해연마	Part Name.	**
3~6	±0.05				**
6~30	±0.1	Revision	Sheet Size	Ass'y Name	-
30~120	±0.15	-	A3	**	Scale
120~315	±0.2	Date	Designed by	Model No.	1:1
315~1000	±0.3	2010-09-07	Shin S H	CLB-S	
1000~2000	±0.5	Checked by	Approved by		
		KS B 0412에 준함			