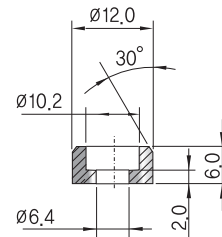
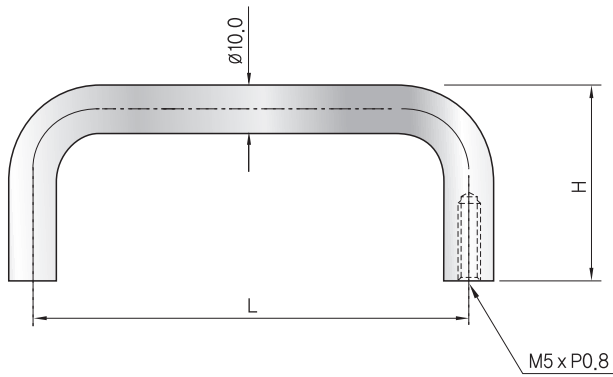


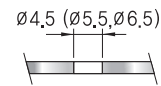


- 높은 강도 유지
- 다양한 길이
- 재 질: 황동
- 표면처리: 니켈, 크롬, 무광크롬, 무광니켈도금
- High strength handle
- Various lengths
- Material : BsBM
- Finish : Nickel, Chrome, Nickel / Chrome plated Non-Glossy

## 10.0 Instrument Handle



Cap



조립 Hole  
가공 Size

## Part Numbers

H10-5 F - H - L

<b>F</b> = Finish Code	01 = Nickel    02 = Chrome    03 = Non-Glossy Chrome    06 = Non-Glossy Nickel
<b>H</b> = Height Code	40 = 40mm
<b>L</b> = Length Code	101 = 101.6mm    120 = 120mm    150 = 150mm