

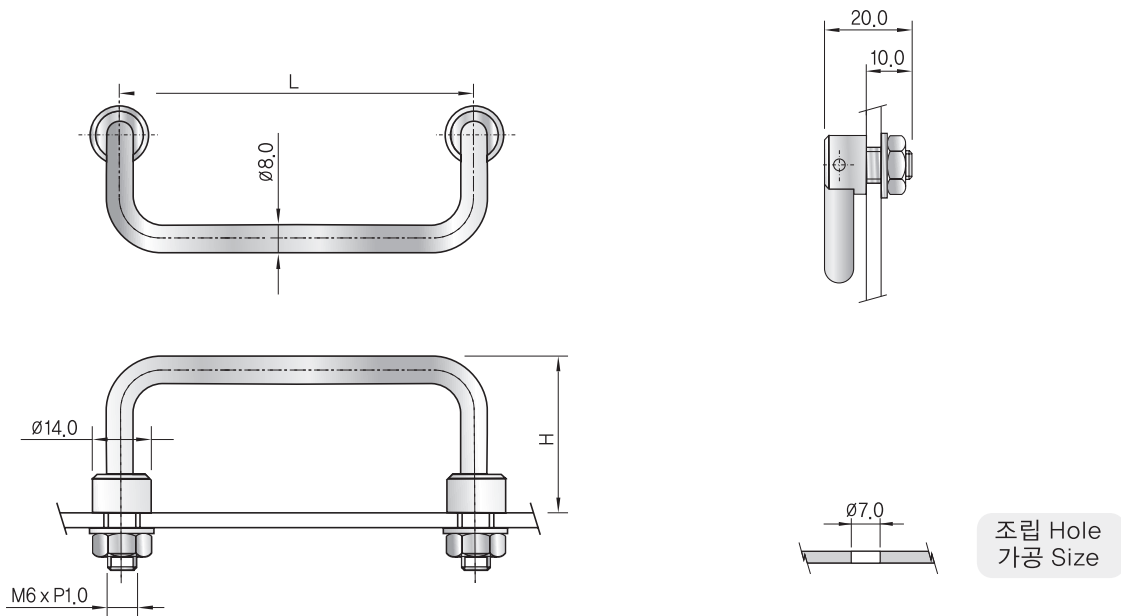
Collapsible Instrument Handles



- 접이식으로 높이가 낮음
- 재 질 : 핸들 = 황동 / 핀 = 스테인레스
- 표면처리 : 무광, 니켈도금

- Low profile collapsible type
- Material : Handle = BsBM / Pin = Stainless Steel
- Finish : Chrome plated Non-Glossy, Nickel

8.0 Collapsible Handle



Part Numbers

HA8-6 **F** - **H** - **L**

F = Finish Code	01 = Nickel	02 = Chrome	03 = Non-Glossy Chrome	06 = Non-Glossy Nickel
H = Height Code	33 = 33mm			
L = Length Code	100 = 100mm			